

# MANUAL

## Frag Ship

SKU FRG-SP



### FEATURES



Leak-proof Lid



No More Plastic Bags



Total Protection



Premium Center Spot



Durable Design



FRAGRIP Technology



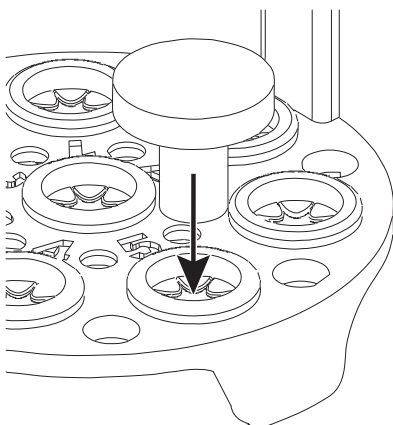
TSA ok

### FUNCTIONS

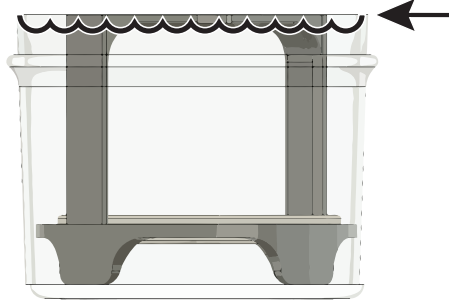
The Reef Outfit Frag Ship was designed to transport coral frags safely wherever you go, removing the risk of harming the corals and of water leaking. It is a much safer and environmentally friendly solution compared to the widely used plastic bags.

### INSTALLATION INSTRUCTIONS

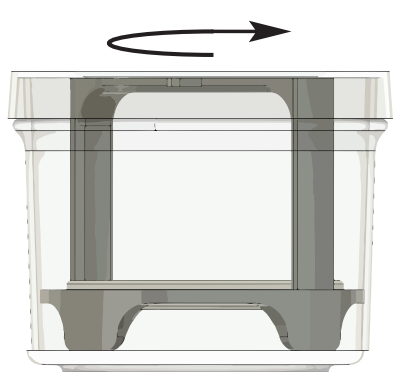
1. Insert the frag plugs down vertically, all the way through the FRAGRIP.



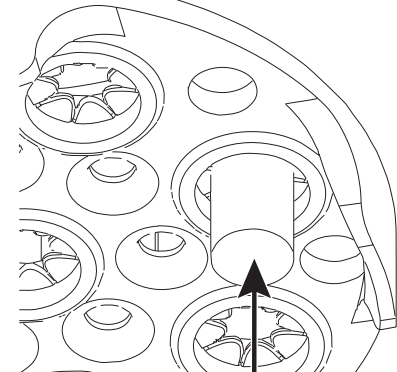
2. Before transporting your coral frags fill the container completely with water so they don't get damaged by water splashing inside.



3. Make sure you tighten the lid completely before transporting to secure against leaks.



4. When removing the frag plugs we recommend pushing them from underneath to avoid damaging your corals.



### SAFETY GUIDELINES

When loaded with corals, keep the container away from direct sunlight. Keep the container within safe temperatures until the corals are removed and acclimated to your tank. Although the container is leakproof and virtually unbreakable during normal use, be careful not to drop it on the ground, specially on hard surfaces like concrete.

### FREQUENTLY ASKED QUESTIONS

**Q.** What is the capacity of the container?

**A.** 22oz or 600ml.

**Q.** Can I bring it on airplanes?

**A.** Yes, its ok to bring the loaded Frag Ship through TSA airport security.

### WARRANTY

The Frag Ship is guaranteed against manufacturing defects. If you need product support please visit <https://reefoutfit.com/contact-us/>

