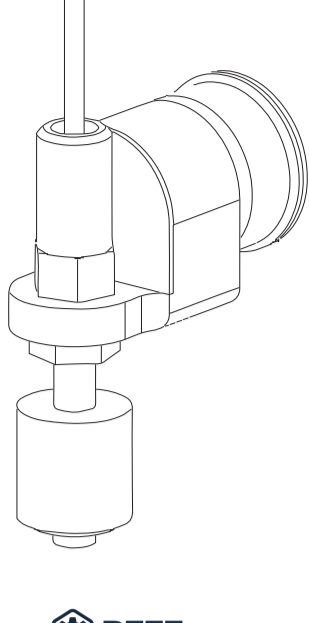


# MANUAL

## Float Switch

SKU FLT-SW



### FEATURES



Seamless Integration



Versatile Installation Options



Immediate Alerts



Accurate Water Level Detection



Apex® Compatible



Sealed Magnets



Easy Installation

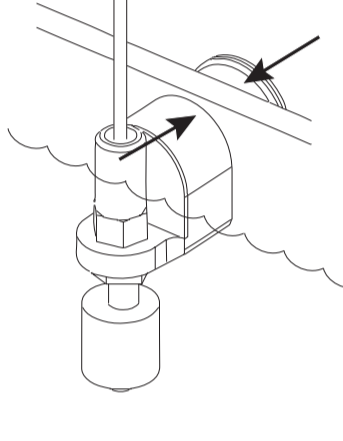
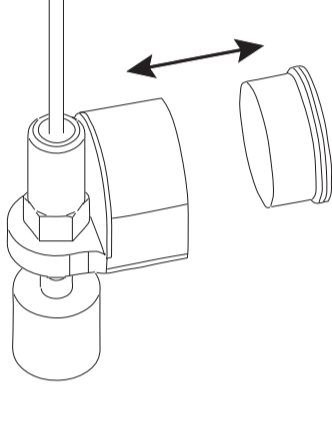
### FUNCTIONS

The Reef Outfit Float Switch was designed to give you convenient monitoring your water levels. By connecting it to a Breakout Box connected to the Apex computer you can receive real time alerts through the Fusion® app.

### INSTALLATION INSTRUCTIONS

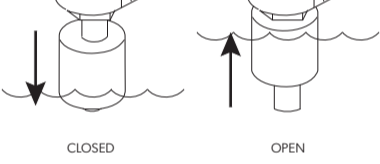
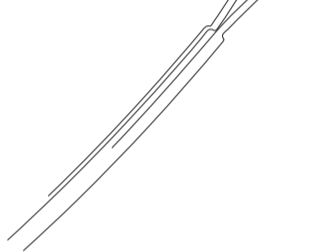
1. Pull the magnets away from each other

2. Place the float part inside the water container you wish to monitor. Place the other magnet on the opposite side of the glass



3. Connect the wires to the Breakout Box

When the float on the switch drops with the lowering water level, the status of the switch on Apex will change from open to closed. Conversely, when the water level raises the float will rise and switch the status of the switch in Fusion from closed to open.

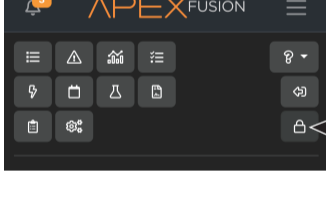


### IMPORTANT

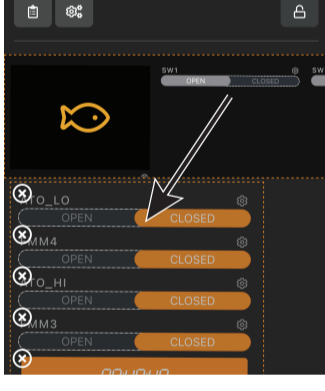
The magnets of the Float Switch were designed to work with glass thickness of 8mm (just over 3/16 inches) maximum

### PROGRAMMING THE SWITCH IN FUSION

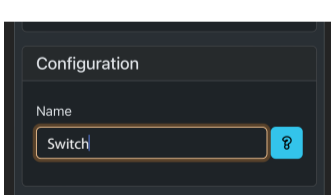
1. After connecting the Float Switch to the Breakout Box open the Fusion app and tap the padlock



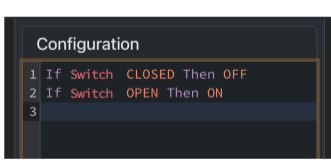
2. Drag the input you connected the Float Switch to onto the dashboard



3. Give your input a unique name (e.g. Switch)



4. Add the following programming to the outputs you wish to control



This is a very basic example of how to monitor your water levels with the Float Switch, you might want to set it up in a different way. More information on how to program your button can be obtained at the Neptune forum at: <https://forum.neptunesystems.com/forum.php>

### SAFETY GUIDELINES

Make sure you connect the wires securely to the breakout box. Be careful when snapping the magnets onto the glass as they might damage the glass.

### FREQUENTLY ASKED QUESTIONS

**Q . Where can I install the Float Switch?**

A. ATO reservoirs, protein skimmers, sump, dosing containers, etc.

**Q . Does it work on any breakout box?**

A. Yes

### TROUBLESHOOTING

#### Problem

The switch isn't working

#### Solution

- Check Fusion programming
- Check if the wires are securely connected to the breakout box

### CONTENTS

The Float Switch is made of ABS plastic, rare earth magnets and electrical components.

### WARRANTY

The Float Switch is guaranteed against manufacturing defects. If you need product support please visit <https://reefoutfit.com/contact-us/>

