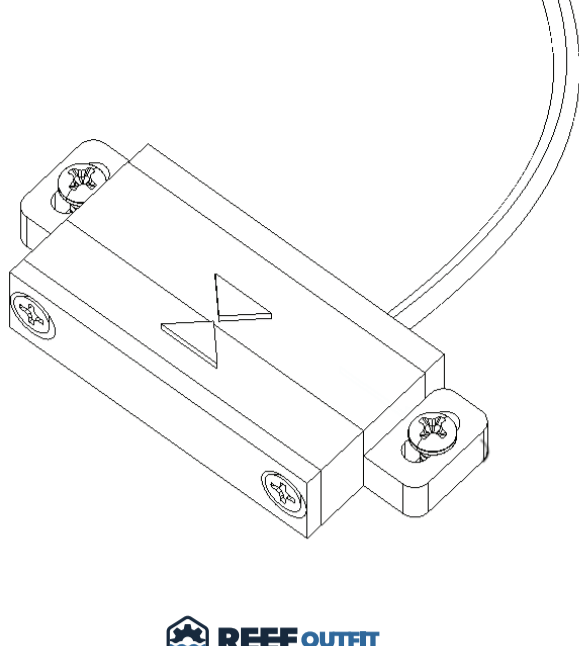


MANUAL

Cabinet Switch

SKU CBT-SW



FEATURES



Enhanced Security



Energy Efficient



Door Status Detection



Waterproof



Apex® Compatible



Customizable Settings



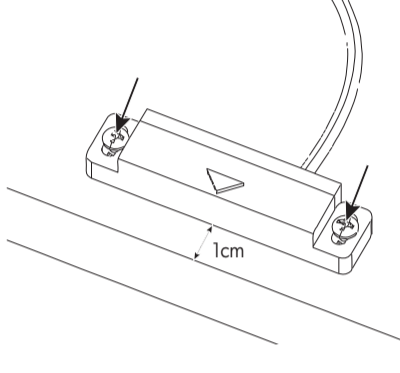
Easy Installation

FUNCTIONS

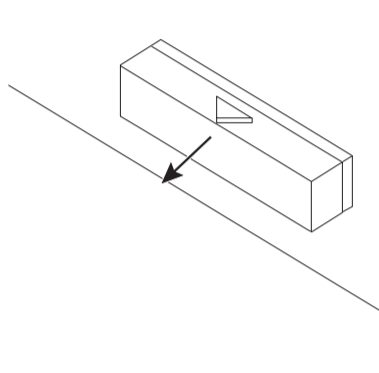
The Reef Outfit Cabinet Switch was designed to give you convenient monitoring of the state of your cabinet doors. By connecting it to a Breakout Box connected to the Apex computer you can receive real time alerts through the Fusion® app.

INSTALLATION INSTRUCTIONS

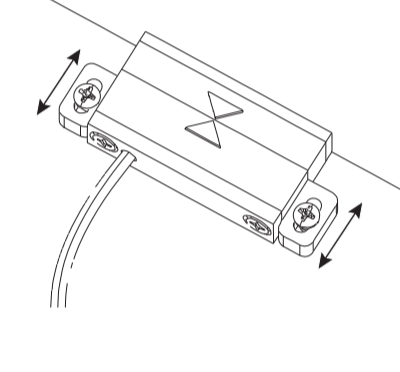
1. Screw the cabinet part to the inside of the desired cabinet mounting surface roughly 1cm (0.4") away from the edge, using the included screws



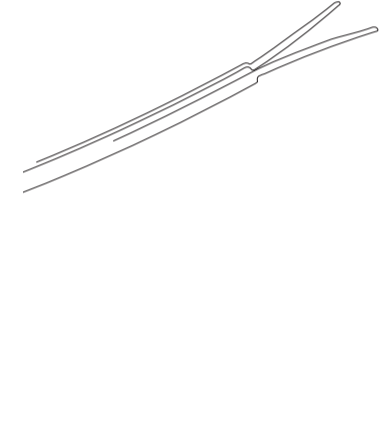
2. Peel the backing of the double sided tape on the cabinet door part and stick it to the cabinet door at a location that lines up with the cabinet part



3. If your cabinet door doesn't stay flush with the cabinet when closed, loosen the screws and adjust the position of the cabinet part so it stays close enough to the door part.

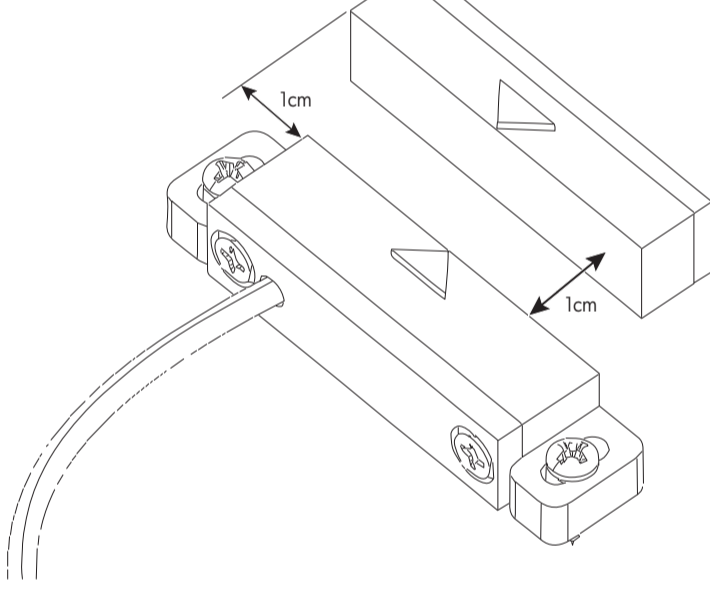


4. Connect the wires to the Breakout Box



IMPORTANT

In order for your cabinet switch to work properly both part must be within the distances specified on the diagram below:

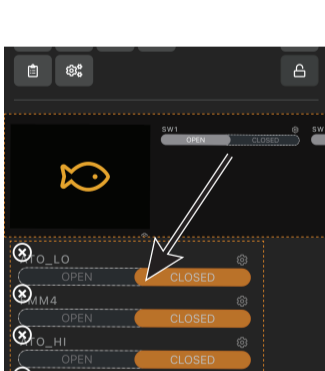


PROGRAMMING THE SWITCH IN FUSION

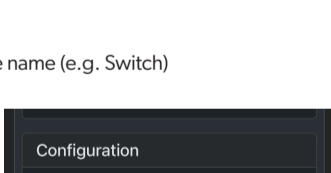
1. After connecting the Cabinet Switch to the Breakout Box open the Fusion app and tap the padlock



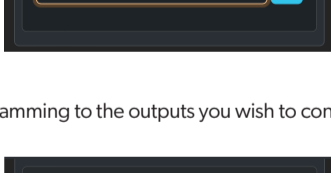
2. Drag the input you connected the Cabinet Switch to the dashboard



3. Give your input a unique name (e.g. Switch)



4. Add the following programming to the outputs you wish to control



This is a very basic example of how to add control to your equipment with the push button, you might want to control it in a different way. More information on how to program your button can be obtained at the Neptune forum at: <https://forum.neptunesystems.com/forum.php>

SAFETY GUIDELINES

Make sure you connect the wires securely.

FREQUENTLY ASKED QUESTIONS

Q. What battery does the Button Switch use?

A. One CR2032 3V lithium coin battery

Q. Does it work on any breakout box?

A. Yes

TROUBLESHOOTING

Problem

The button isn't working

Solution

- Check Fusion programming
- Check if the wires are securely connected to the breakout box

CONTENTS

The Cabinet Switch is made of ABS plastic and electrical components.

WARRANTY

The Cabinet Switch is guaranteed against manufacturing defects. If you need product support please visit <https://reefoutfit.com/contact-us/>

