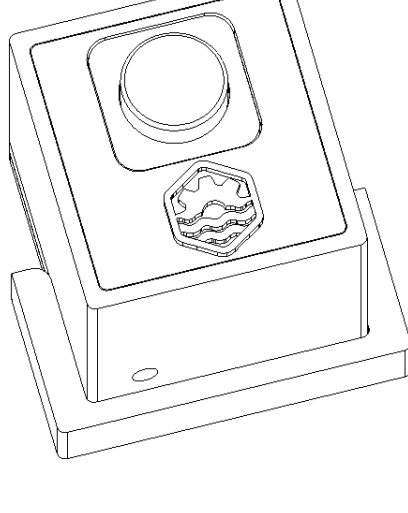


MANUAL

Button Switch

SKU BTN-SW



FEATURES



Illuminated Button



Energy Efficient



Durable Construction



Pin connectors



Apex® Compatible



Responsive Control



Versatile Application



Easy Installation



Sleek Aesthetic



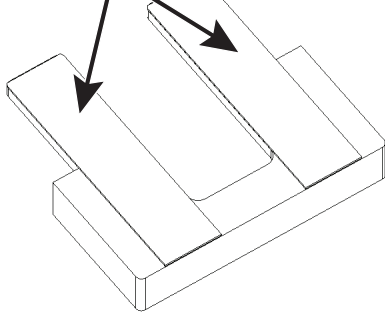
Safety Features

FUNCTIONS

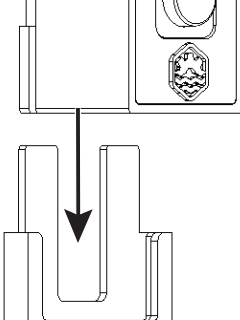
The Reef Outfit Button Switch was designed to give you convenient physical control over your aquarium equipment in an instant, without using the Fusion app. By connecting it to a Breakout Box connected to the Apex computer you can program any desired action to take place when the button is activated.

INSTALLATION INSTRUCTIONS

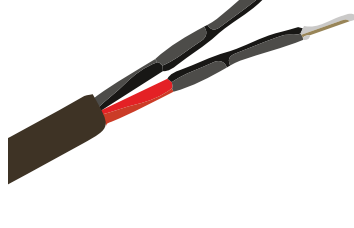
1. Peel the backing of the two double sided tape on the back of the mount and press the mount against the mounting surface



2. Slide the button switch onto the mount from above



3. Connect the black wire to the ground terminal and the red wire to the input terminal on the Breakout Box



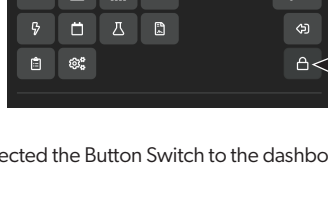
TIP

Clean the mounting surface free of dirt and grease before attaching the mount to make sure it sticks securely

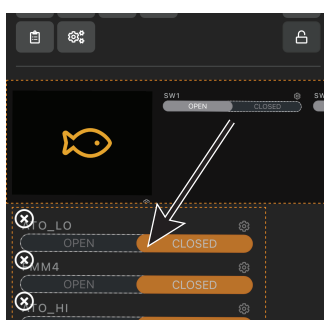
We recommend waiting one day before placing the button switch on the mount to give time for the adhesive on the mounting tape to fully cure and provide a strong bond

PROGRAMMING THE BUTTON

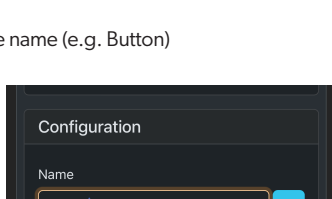
1. After connecting the Button Switch to the Breakout Box open the Fusion app and tap the padlock



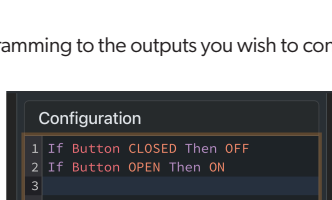
2. Drag the input you connected the Button Switch to the dashboard



3. Give your input a unique name (e.g. Button)



4. Add the following programming to the outputs you wish to control

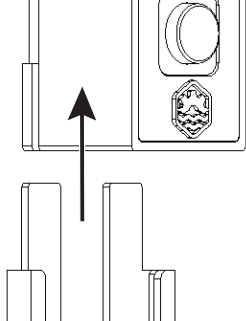


This is a very basic example of how to add control to your equipment with the push button. More information on how to program your button can be obtained at the Neptune forum at: <https://forum.neptunesystems.com/forum.php>

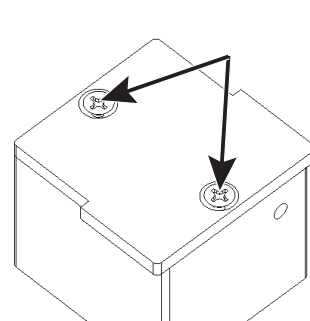
REPLACING THE INTERNAL BATTERY

Your Button Switch has an internal battery to provide power to illuminate your button. Eventually, you will need to replace it. Follow these instructions on how to perform the replacement.

1. Slide the button switch upwards off the mount



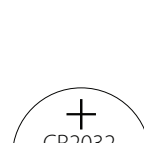
2. Using a phillips screwdriver, remove the two screws from the back of the Button Switch and remove the cover



3. Pull out the battery case and replace the battery with a new CR2032 battery



4. Reverse these steps to finish the battery replacement



SAFETY GUIDELINES

Make sure you connect the wires correctly, do not switch this order, black in ground and red in input. Keep the button dry and away from water splashes.

FREQUENTLY ASKED QUESTIONS

Q. What battery does the Button Switch use?

A. One CR2032 3V lithium coin battery

Q. Does it work on any breakout box?

A. Yes

TROUBLESHOOTING

Problem

The button isn't working

Solution

- Check the polarity of the wires to make sure they are connected correctly
- Check Fusion programming
- Check if the wires are securely connected to the breakout box

The button isn't lighting up or is very weak

- Replace the battery
- Check the wires polarity

CONTENTS

The Button Switch is made of ABS plastic and electrical components.

WARRANTY

The Button Switch is guaranteed against manufacturing defects. If you need product support please visit <https://reefoutfit.com/contact-us/>

