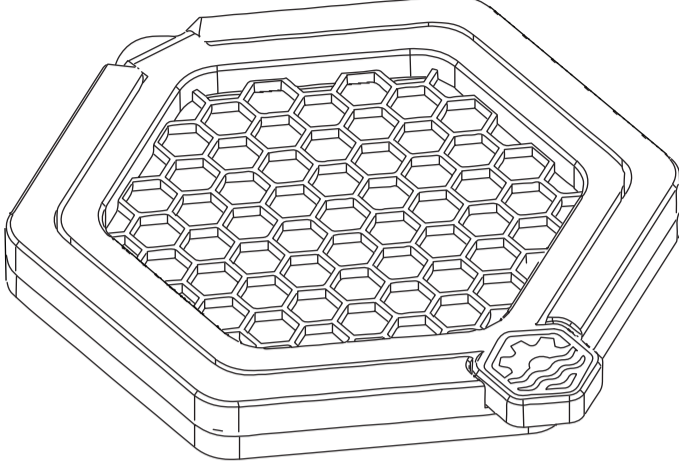


MANUAL

Bite Hatch

SKU BIT-HT



FEATURES



No Tools Needed



Low Profile Design



Durable Construction



Integrity Guaranteed



Hinged Design



Magnetic Action



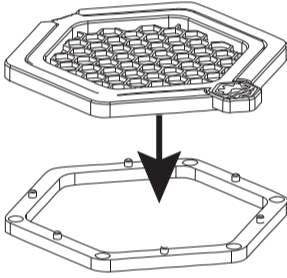
Glow In The Dark

FUNCTIONS

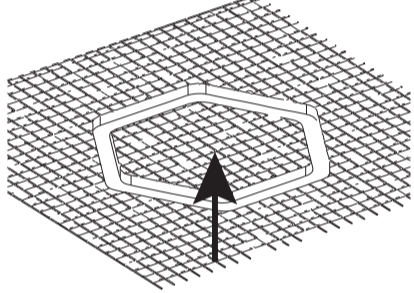
The Reef Outfit Bite Hatch was designed to function as a solution to feeding your wish without having to remove the top screen. It serves as a convenient feeding port that keeps your screen in place, keeping your fish safe. It works by installing it on your screen and opening and closing the magnetic hinged latch on top to give you access to the water column and dispense food.

INSTALLATION INSTRUCTIONS

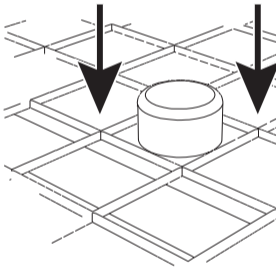
1. Separate the Bite Hatch by pulling down on the bottom part



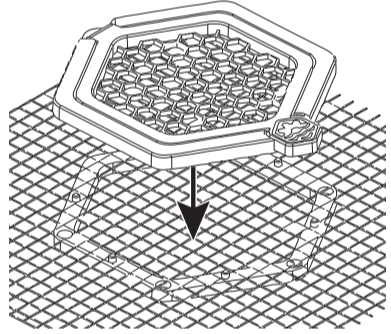
2. Position the bottom part against the screen from underneath



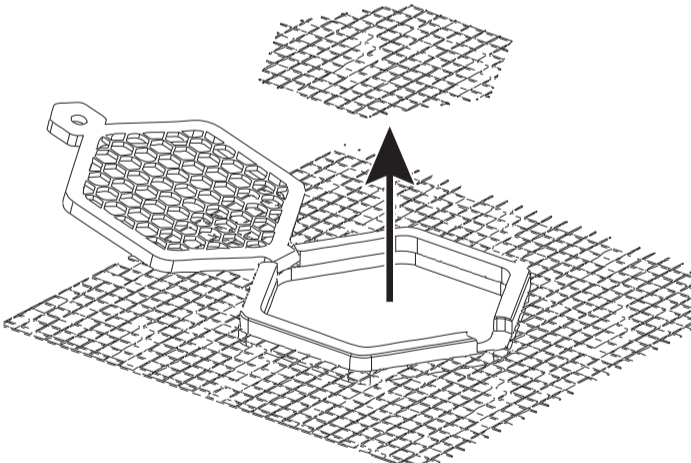
3. Make sure the pins fit through the square gaps on the screen



4. Lower the top part onto the bottom part until they snap together, making sure all the pins fit securely inside the top part



5. Using a sharp blade cut the screen inside the port and remove it



SAFETY GUIDELINES

Make sure your Bite Hatch is correctly installed and secured on your screen before use. Keep your Bite Hatch lid closed at all times when not feeding to make sure your fish are safe. Be careful when using a sharp blade to cut the net inside the port.

FREQUENTLY ASKED QUESTIONS

Q. Will the Bite Hatch fit on my screen?

A. The Reef Outfit Bite Hatch will fit on any screen using the standard nylon screen. Some users have reported being able to install it on other kinds of screen as well.

Q. What tools do I need to install the Bite Hatch?

A. The Bite Hatch installation is tool free, although you will need a sharp blade like scissors or a blade to cut the net inside the port.

TROUBLESHOOTING

Problem

I can't seem to fit the top part onto the bottom part over the screen

Solution

Make sure all the pins were correctly pushed through the screen and that they are securely fit inside each corresponding hole on the top part

CONTENTS

The Bite Hatch is made of ABS and PLA glow-in-the-dark plastic, standard nylon net and nine rare earth magnets.

WARRANTY

The Bite Hatch is guaranteed against manufacturing defects. If you need product support please visit <https://reefoutfit.com/contact-us/>

